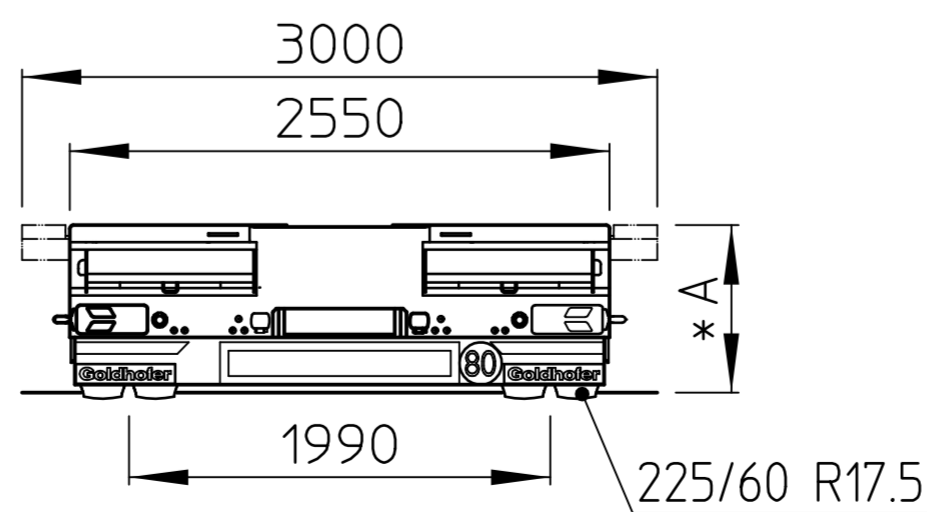


Hauptfahrhöhe / main driving height

A	790	830	mm
Hub/ Stroke	+140 -60	+100 -100	mm
B	1320	1360	mm
C	≈ 3390	3430	mm

R = Reibungsgelenkt / friction steered axle  
 Z = Zwangsgelenkt / force steered axle  
 \* = beladen / laden

Technische Änderungen vorbehalten / Subject to technical alterations



## STZ-L 4 (225) A Stepstar Z

5357466

drawing #.

A

Version

/

sheet

14.01.2025

date

VP2791

No.