

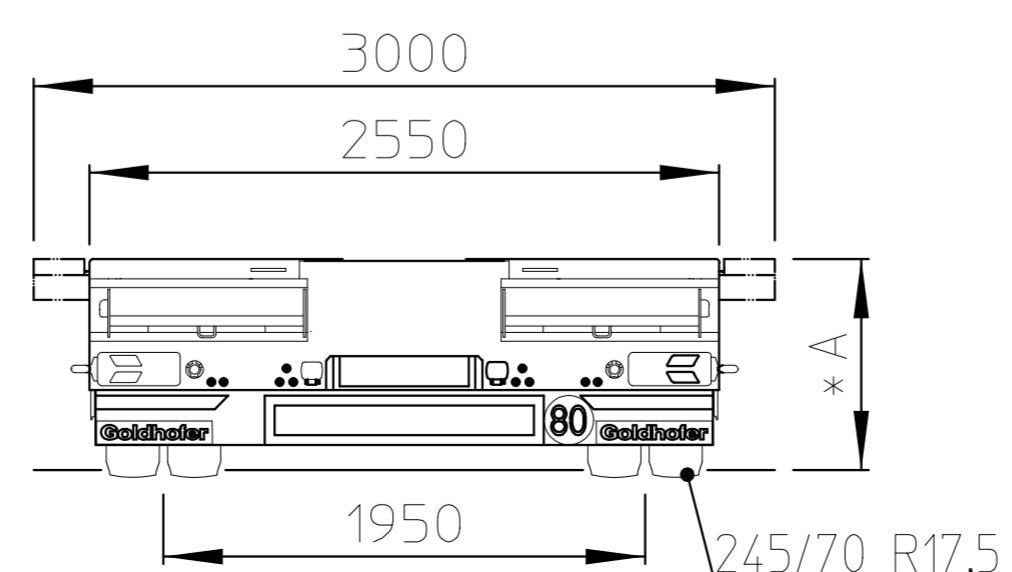
Hauptfahrhöhe /
main driving height

A	855	895	mm
Hub	+140	+100	mm
	-60	-100	mm

R = Reibungsgelenkt / friction steered axle
 S = Starrachse / rigid axle
 Z = Zwangsgelenkt / force steered axle

* = beladen / laden

Technische Änderungen vorbehalten / Subject to technical alterations



STN-L 6 (245) A Stepstar

4542491 A / 21-Jun-23 VP12623